

PRODUCT NAME: STAINLESS STEEL
GLASS FILLER WITH SINK ASSEMBLY

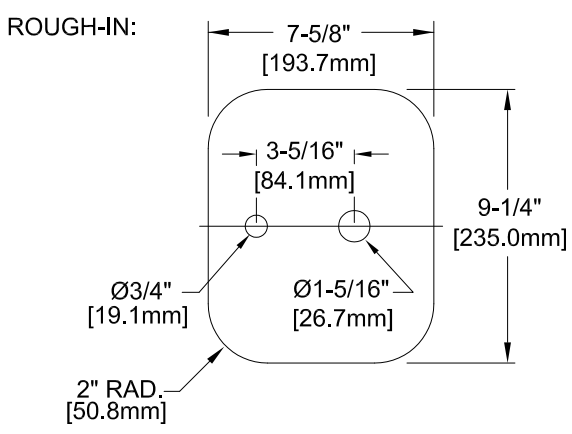
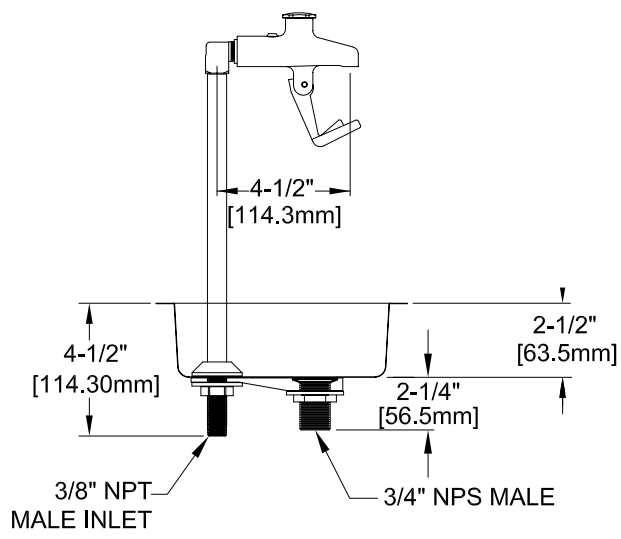
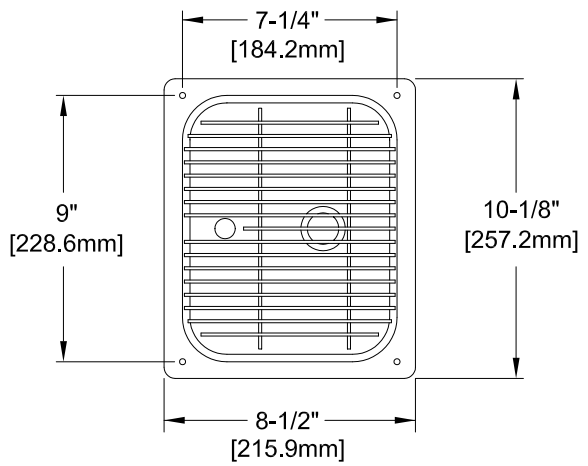
- MODEL:
- 54208 WITH 10" PEDESTAL W/ SINK ASSEMBLY
 - 59110 WITH 12" PEDESTAL W/ SINK ASSEMBLY
 - 59129 WITH 14" PEDESTAL W/ SINK ASSEMBLY

- FEATURES
- GLASS FILLER
- * STAINLESS STEEL HEAD
 - * TAMPER PROOF VOLUME CONTROL
 - * HANDLES BOTH PAPER & GLASS CUPS
 - * NON-MARRING DELRIN PRONG
 - * STAINLESS STEEL SEAT SCREW
 - * STAINLESS STEEL STREAM STRAINER

- SINK ASSEMBLY
- * STAINLESS STEEL CONSTRUCTION
 - * 3/4" DRAIN ASSEMBLY
 - * VINYL-DIPPED GRILL

- SYSTEM LIMITS
- * TEMP: 40°F MIN. TO 140°F MAX.
 - * PRESSURE: 100 PSI MAX. STATIC
 - * 2.2 GPM AT 80 PSI

- SHIPPING WEIGHT
- * 5.25 LBS
 - * NSF 61-9 APPROVED & LISTED
 - www.truesdail.com



ANSI/A112.18.1-2005

FISHER
FISHER MANUFACTURING COMPANY
TOLL FREE: 800-421-6162 - FAX: 800-832-8238
information@fisher-mfg.com - www.fisher-mfg.com